

# Series LO5

## SEAM SEALED OSCILLATOR 5X3.2MM SMD



### FEATURE

- Broad frequency range from 1.544Mhz to 125MHz
- Compact and thin ceramic package with metalized surface mounting and automatically loaded
- Reflow solder is possible
- Lower noise and current with reduced power consumption
- Built-in C-MOS IC with tri-state function
- 5V and 3.3V supply model available
- Ideally suited designed for use in PCs, NB, PCMCIA Cards, Palmtop Computer, Portable Applications



### ELECTRICAL SPECIFICATIONS

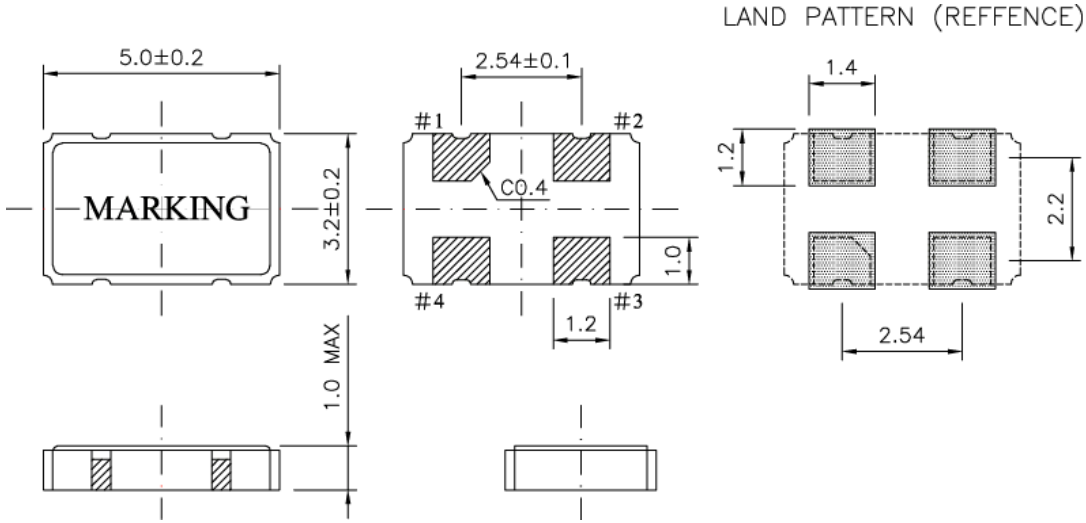
Parameters	Condition/Model	LO51	LO52	LO53	LO54	LO55
Fan Out Type		TTL/CMOS	CMOS	TTL	TTL	TTL/CMOS
Supply Voltage		5.0V	3.3V	5.0V	3.3	2.8V
Frequency Range		1.554MHz to 125MHz				
Operating Temperature		0-70°C, -20-70°C, -40-85°C				
Input Current	Frequency Range	1.544~31.999M Hz 35mA max(15pF) 40mA max (50pF) 32~150MHz 45mA max(15pF) 55mA max (50pF)	1.544~31.999M Hz 25mA max 32~150MHz 40mA max	1.544~31.999M Hz 30mA max 32~150MHz 45mA max	1.544~31.999M Hz 25mA max 32~150MHz 40mA max	1.544~31.999M Hz 25mA max 32~150MHz 40mA max
Frequency Stability	All Conditions	±25, ±50, ±100ppm				
Symmetry	AT 1/2 Vdd	45/55%				
Output Voltage	Vol(max)	0.4V/0.5V	0.33V	0.5V	0.33V	0.28V
	VoH(min)	2.4V/4.5V	2.97V	4.5V	2.97V	2.52V
Rise/Fall Time	AT 0.1Vdd~0.9Vdd	10ns max				
Drive Ability	CMOS load max	15pF/50pF	15pF			15pF
	TTL load max	10TTL		10TTL	10TTL	
Start-up Time	Load RANGE	10ms max(15pF)/5ms (50pF)				
E/D Function	#1 OPEN	PIN #3 ACTIVE				
	#1 >=2.2V	PIN #3 ACTIVE				
	#1 <=0.8V	PIN #3 INACTIVE				
PAD Connection		PIN#1 E/D		PIN#3 OUT		
		PIN#2 GND		PIN#4 Vdd		

# Series L05

## SEAM SEALED OSCILLATOR 5X3.2MM SMD



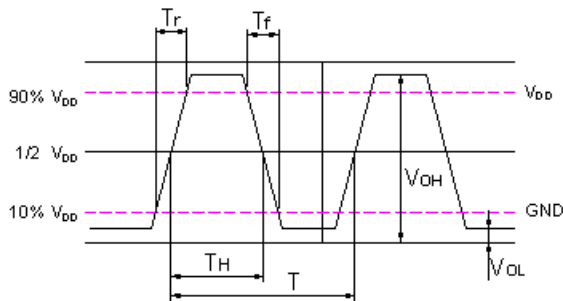
### MARKING AND DIMENSIONS



#### PIN NO CONNECTION

- # 1 N.C.( INH )
- # 2 GND
- # 3 OUTPUT
- # 4 +VCC

### WAVEFORM CONDITIONS



### REFLOW CONDITION

