

# Series L07

## SEAM SEALED CERAMIC 7.0 X 5.0MM SMD



### FEATURE

- Broad frequency range from 1.54MHz to 150MHz
- Compact and thin ceramic package with metalized surface mounting and automatically loaded
- Reflow solder is possible
- Lower noise and current with reduced power consumption
- Built-in C-MOS IC with tri-state function
- 5V and 3.3V supply model available

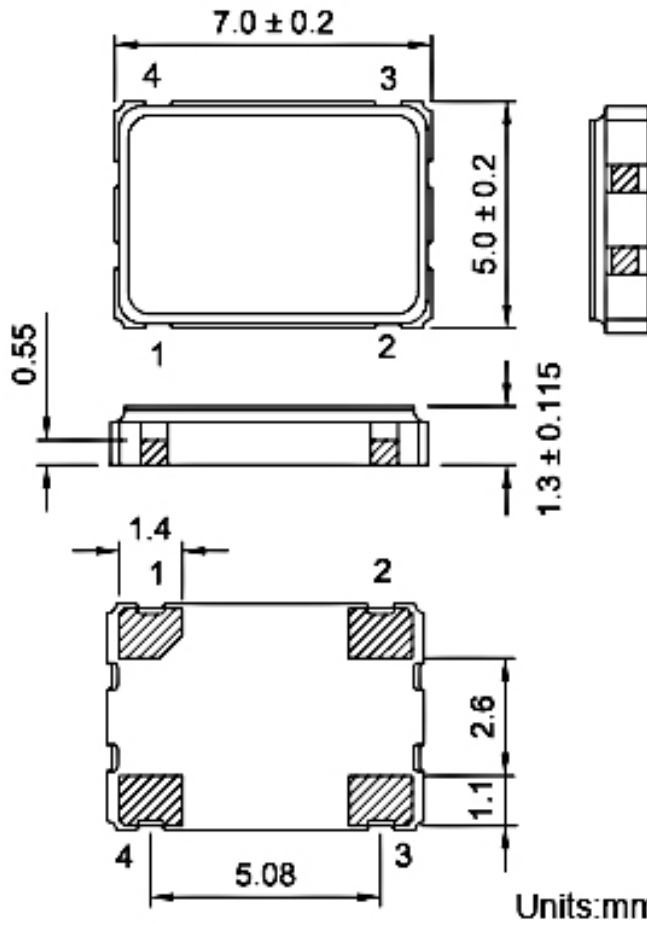


### ELECTRICAL SPECIFICATIONS

Parameters	Condition/Model	L071	L072	L073	L074
Fan Out Type		TTL/CMOS	CMOS	TTL/CMOS	TTL
Supply Voltage		5.0V	3.3V	5.0V	3.3V
Frequency Range		1.554MHz to 150MHz			
Operating Temperature		0-70°C, -20-70°C, -40-85°C			
Input Current	Frequency Range	1.544~31.999MHz 35mA max(15pF) 40mA max (50pF) 32~150MHz 45mA max(15pF) 55mA max (50pF)	1.544~31.999MHz 25mA max 32~150MHz 40mA max	1.544~31.999MHz 30mA max 32~150MHz 45mA max	1.544~31.999MHz 25mA max 32~150MHz 40mA max
Frequency Stability	All Conditions	±25, ±50, ±100ppm			
Symmetry	AT 1/2 Vdd	45/55%			
Output Voltage	Vol(max)	0.4V/0.5V	0.33V	0.5V	0.33V
	VoH(min)	2.4V/4.5V	2.97V	4.5V	2.97V
Rise/Fall Time	AT 0.1Vdd~0.9Vdd	10ns max			
Driving Ability	10 LSTTL Load max			15pF	15pF
	CMOS load max	15pF/50pF	15pF		
	TTL load max	10TTL			
Start-up Time	Load RANGE	10ms max(15pF)/5ms (50pF)			
E/D Function	#1 OPEN	PIN #3 ACTIVE			
	#1 >=2.2V	PIN #3 ACTIVE			
	#1 <=0.8V	PIN #3 INACTIVE			
PAD Connection		PIN#1 E/D		PIN#3 OUT	
		PIN#2 GND		PIN#4 Vdd	

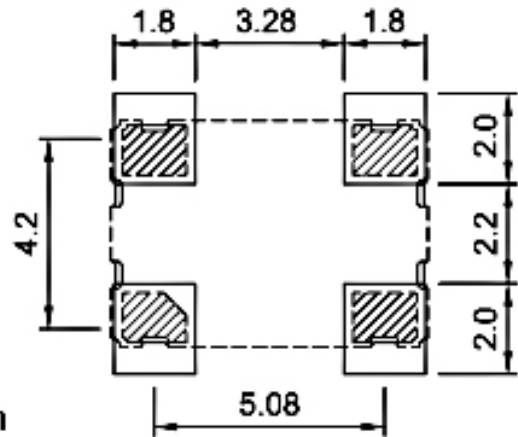
### MARKING AND DIMENSIONS

**Series L07**  
**SEAM SEALED CERAMIC 7.0 X 5.0MM SMD**

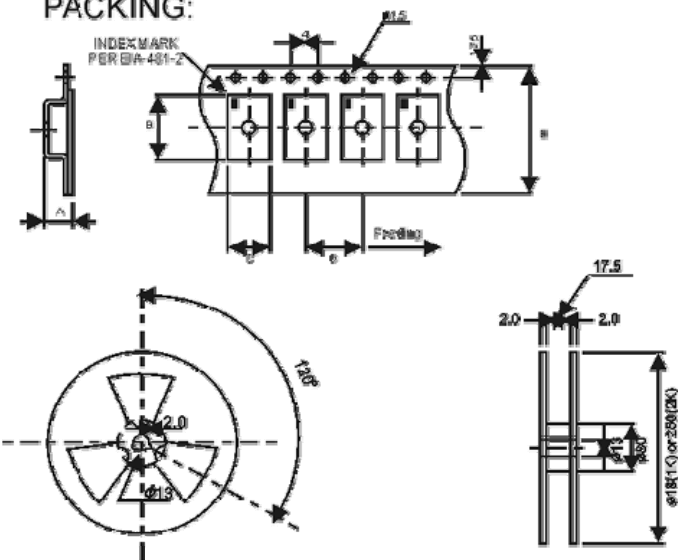


**PAD FUNCTION:**  
 1:ENABLE CONTROL  
 2:GND  
 3:OUT  
 4:VDD

**Suggested Layout**



**PACKING:**



A	B	C	D	E	Pcs/Reel
1.3	6.4	3.9	8.0	16	1K or 2K

**REMARK:**

- 230 mm (9.05) minimum leader which consist of carrier and / or cover tape followed by a minimum of 160 mm (6.3) of empty carrier tape sealed with cover tape.
- 160 mm (6.3) minimum trailer of empty carrier tape sealed with cover tape.