

1 to 350 MHz

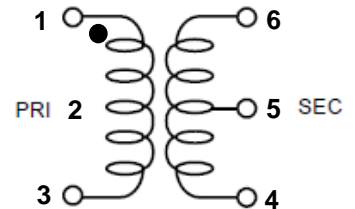
Features

- Surface Mount
- 4:1 Impedance Ratio
- RoHS- compliant 4:1 transformer
- Low Cost
- Broadband

Applications

- Impedance Matching
- Balanced Amplifier

Functional Diagram



Description

The PBI41A / PRWB75-4-1A is a RoHS compliant 4:1 RF flux coupled transformer in a low cost, surface mount packaging and broadband. The Applications include impedance matching and balanced amplifier. Also the PBI41A / PRWB75-4-1A is consist of single to differential mode. Transformer is surface mount packaging and is designed high temperature soldering reflow.

Function	Pin No.	Function	Pin No.
Primary Dot	1	Secondary Dot	4
Not Used	2	Secondary CT	5
Primary	3	Secondary	6

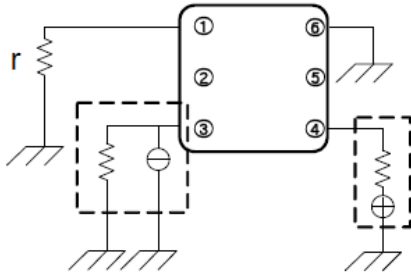
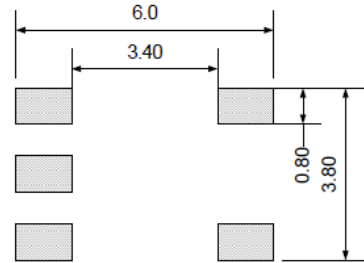
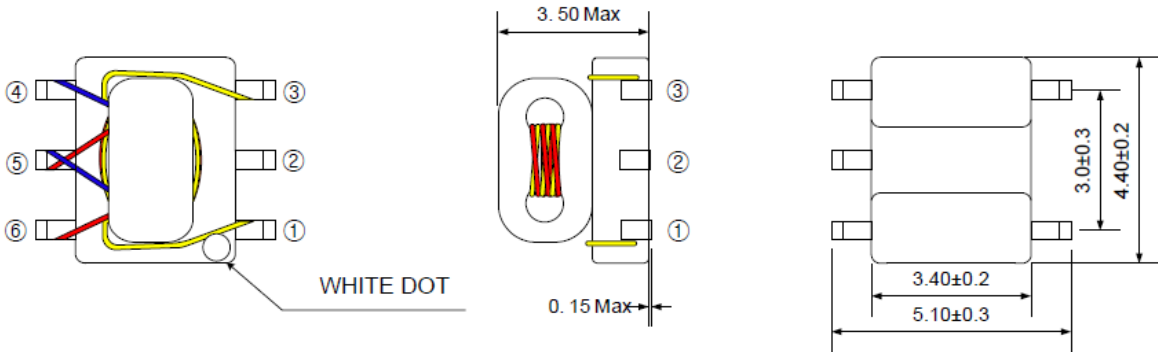
Absolute Maximum Ratings

Parameter	Rating
RF Power	500 mW
DC Current	30mA
Operating Temperature	-40°C to 85°C
Storage Temperature	-55 to +125

Electric Characteristic

Test Conditions : T=25°C, 75ohm System

Parameter	Unit	Frequency(MHz)	Typ.
Frequency	MHz	1 ~ 350	
Insertion Loss	dB	1 ~ 5	1.7
		5 ~ 350	1.7
Amplitude Unbalance	dB	1 ~ 5	0.1
		5 ~ 350	0.2
Phase Unbalance	dB	1 ~ 5	0.1
		5 ~ 350	3.0

Test Circuit

PCB Footprint (mm)

Outline Drawing (mm)

Packing Unit

ITEM	Reel Packing (Q'ty / Reel)	Outbox (Q'ty/Cartoon)
SMD Balun	1,000 pcs	4,000 pcs

Reel Tape Dimension
