

4.5 to 3000 MHz

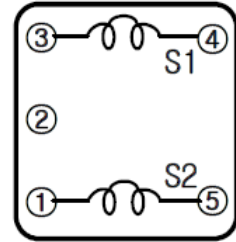
Features

- Surface Mount
- 1:1 Impedance Ratio
- RoHS- compliant 1:1 transformer
- Low Cost
- Broadband

Applications

- Impedance Matching
- Balanced Amplifier

Functional Diagram



(BOTTOM VIEW)

| Function | Pin No. | Function | Pin No. |
|---------------|---------|-------------|---------|
| Secondary | 1 | Primary Dot | 4 |
| Not Used | 2 | Primary | 5 |
| Secondary Dot | 3 | | |

Description

The PBR11A / PRWB50-1-30A is a RoHS compliant 1:1 RF flux coupled transformer in a low cost, surface mount packaging and broadband. The Applications include impedance matching and balanced amplifier. Also the PBR11A / PRWB50-1-30A is consist of single to differential mode. Transformer is surface mount packaging and is designed high temperature soldering reflow.

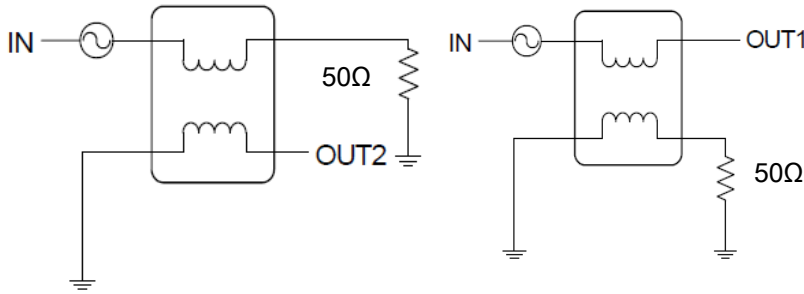
Absolute Maximum Ratings

| Parameter | Rating |
|-----------------------|---------------|
| RF Power | 500 mW |
| DC Current | 30mA |
| Operating Temperature | -40°C to 85°C |
| Storage Temperature | -40°C to 85°C |

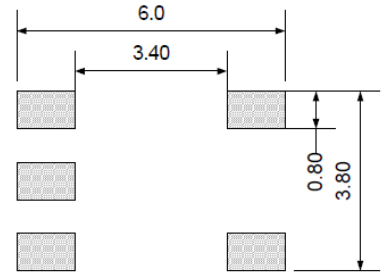
Electric Characteristic

| Parameter | Unit | Frequency(MHz) | Max. |
|--------------------------------|------|----------------|-----------|
| Insertion Loss (Pin 4 to 3) | dB | 4.5 ~ 1000 | 1.0 |
| | | 1000 ~ 2000 | 2.0 |
| | | 2000 ~ 2500 | 4.5 |
| | | 2500 ~ 3000 | 6.5 |
| Insertion Loss (Pin 4 to 1) | dB | 4.5 ~ 1000 | 1.0 |
| | | 1000 ~ 2000 | 2.0 |
| | | 2000 ~ 2500 | 4.5 |
| | | 2500 ~ 3000 | 8.4 |
| Amplitude Unbalance | dB | 20 ~ 1000 | 1.5 |
| Phase Unbalance | dB | 4.5 ~ 1000 | ±0.2 |
| Input Return Loss | dB | 4.5 ~ 1000 | 12dB Typ. |

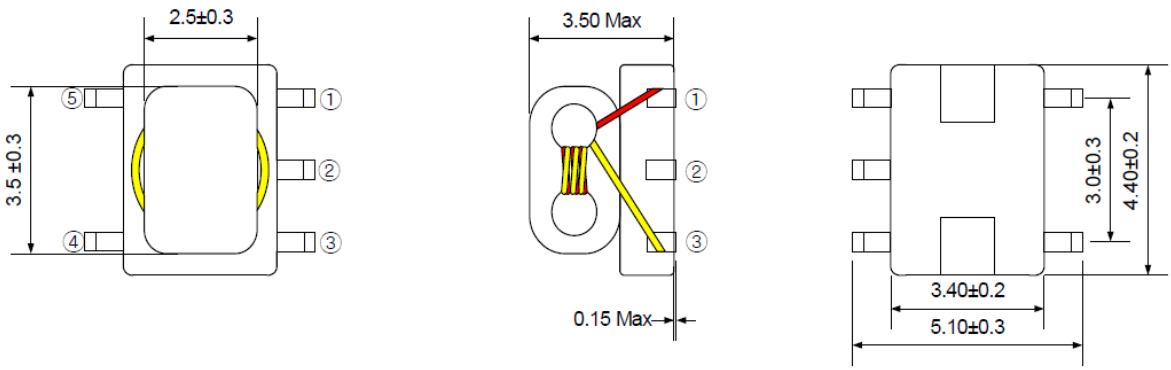
Test Circuit



PCB Footprint (mm)



Outline Drawing (mm)



Packing Unit

| ITEM | Reel Packing (Q'ty / Reel) | Outbox (Q'ty/Cartoon) |
|-----------|----------------------------|-----------------------|
| SMD Balun | 1,500 pcs | 6,000 pcs |

Reel Tape Dimension

