

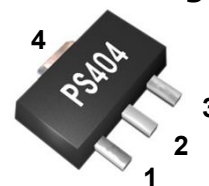
Features

- ➔ DC - 3000MHz
- ➔ 22.4 dB Gain at 0.9GHz
- ➔ +15 dBm P1dB
- ➔ +29.2 dBm Output IP3
- ➔ Single Voltage Supply
- ➔ Lead-free / Green / RoHS-compliant SOT-89 Package

Applications

- ➔ Broadband Gain Block
- ➔ Mobile Infrastructure
- ➔ Cellular, PCS, GSM, GPRS, WCDMA, WiBro, WiMAX
- ➔ W-LAN / DMB / ISM
- ➔ CATV / DBS
- ➔ RFID / Fixed Wireless

Functional Diagram



Function	Pin No.
RF IN	1
RF OUT / Bias	3
Ground	2,4

Description

The PS404 is a high performance InGaP HBT MMIC Amplifier and consists of Darlington pair amplifiers. The amplifier features high linear performance, wideband operation, and high reliability. The PS404 operates from a single voltage supply and requires only two DC-blocking capacitors, a bias resistor and an inductor for operation. The device is a general purpose buffer amplifier that offers high dynamic range in a low cost surface-mountable plastic SOT-89 packages.

Specifications

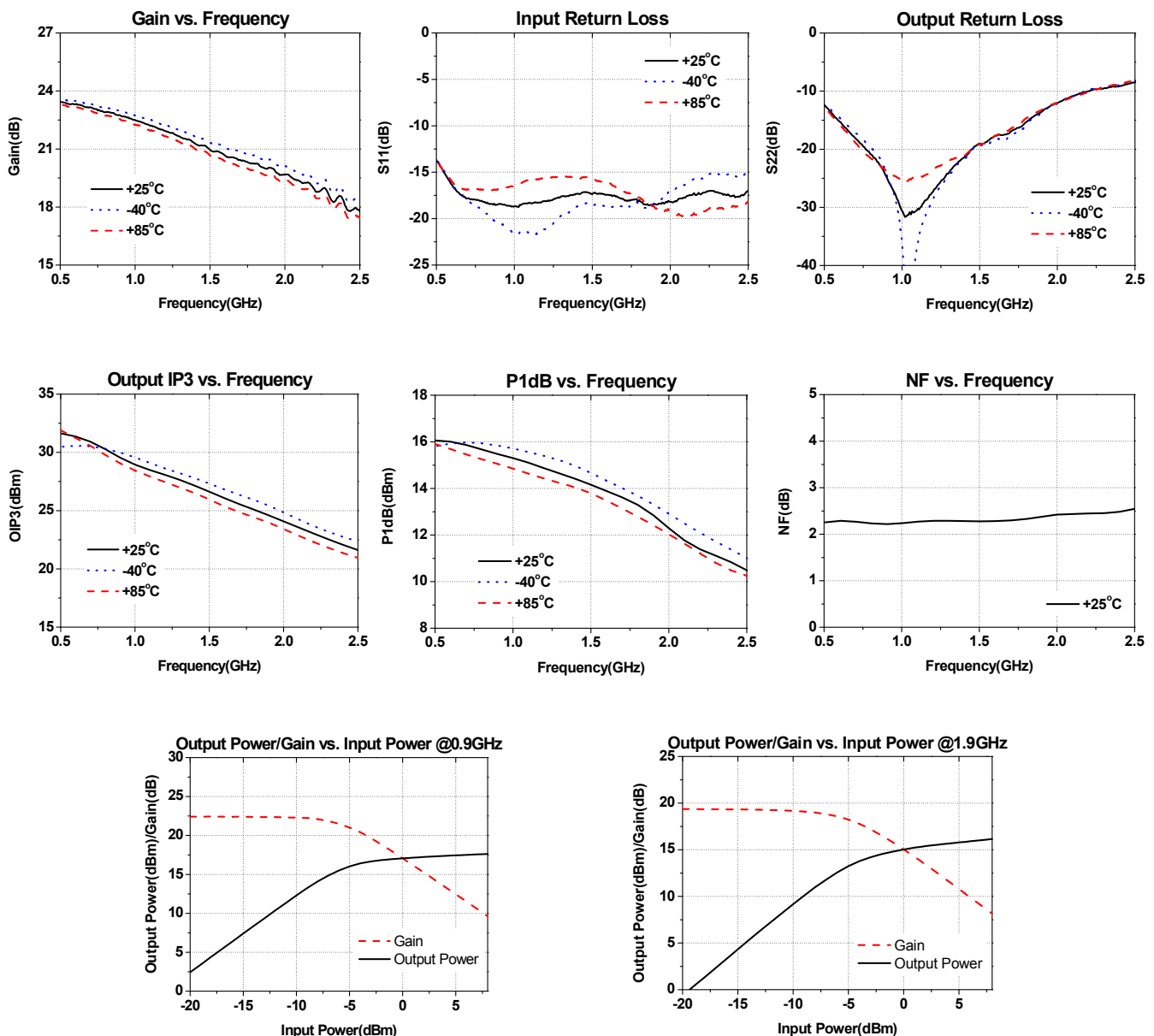
Symbol	Parameters	Units	Freq.	Min.	Typ.	Max.
S21	Gain	dB	75 MHz 900 MHz 1900 MHz 2300 MHz		24.0 22.4 19.7 18.2	
S11	Input Return Loss	dB	75 MHz 900 MHz 1900 MHz 2300 MHz		-19 -17 -17 -16	
S22	Output Return Loss	dB	75 MHz 900 MHz 1900 MHz 2300 MHz		-16 -22 -12 -10	
P1dB	Output Power @1dB compression	dBm	75 MHz 900 MHz 1900 MHz 2300 MHz		16 15 13 11	
OIP3	Output Third Order intercept	dBm	75 MHz 900 MHz 1900 MHz 2300 MHz		32.5 29.2 24.3 22.2	
NF	Noise Figure	dB	75 MHz 900 MHz 1900 MHz 2300 MHz		2.1 2.3 2.4 2.5	
V / I	Device voltage / current	V/mA			3.64/59	
Rth	Thermal Resistance	°C/W			75	
Tj	Junction Temperature	°C			103	

Test Conditions : T=25°C, Supply Voltage=+4.5V, Rbias=14ohm, 50ohm System, OIP3 measured with two tones at an output power of +0dBm/tone separated by 1MHz.

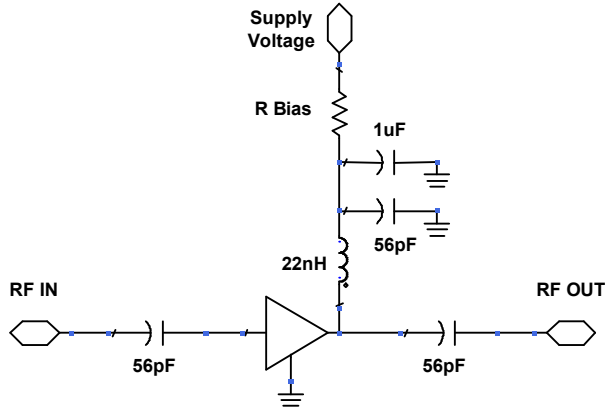
Typical RF Performance for 900MHz Tuned Application Circuit

Supply Bias Voltage = 4.5V, R(bias)= 14 ohm, Current= 59mA

Frequency	MHz	500	900	1500	1900	2300
S21	dB	23.3	22.6	20.9	19.9	18.3
S11	dB	-13	-18	-17	-18	-16
S22	dB	-12	-24	-18	-13	-10
P1dB	dBm	16.0	15.4	14.1	12.7	11.0
OIP3	dBm	31.5	29.4	26.5	24.5	22.3
Noise Figure	dB	2.3	2.3	2.3	2.4	2.5



900MHz Tuned Application Circuit



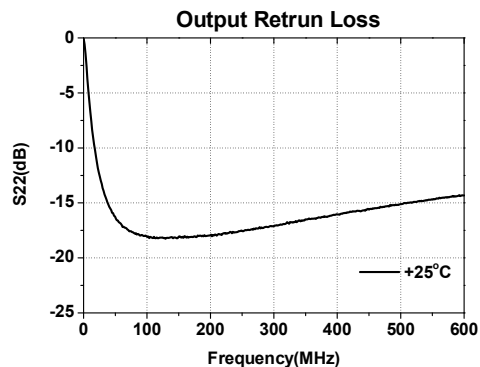
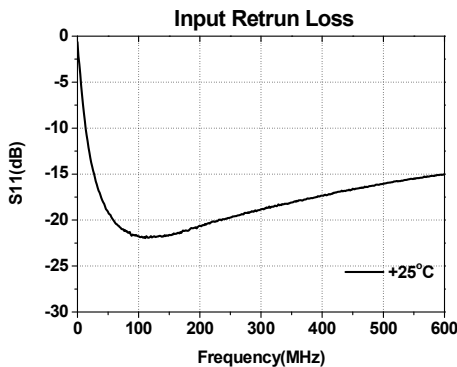
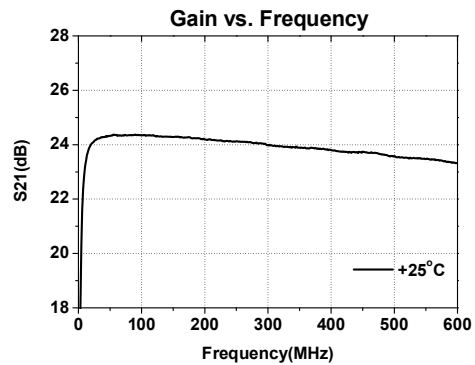
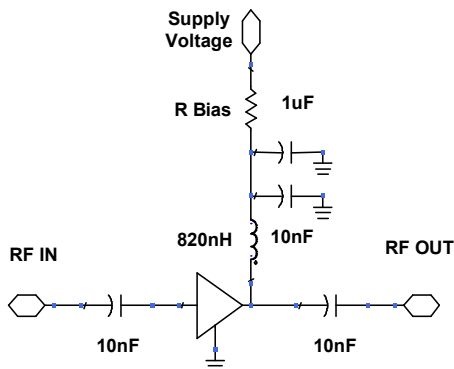
Recommended Bias Values

Supply Voltage	R bias Value	Size
4.5 V	14.0 Ω	0805
5 V	23.0 Ω	1210
6 V	39.0 Ω	1210
7 V	56.0 Ω	2010
8 V	73.0 Ω	2010
10 V	107.0 Ω	2010
12 V	141.0 Ω	2512

Typical RF Performance for 50 -500MHz Tuned Application Circuit

Supply Bias Voltage = 4.5V, R(bias)= 14ohm, Current= 59mA

Frequency	MHz	75	125	300	500
S21 : Gain	dB	24.2	24.2	23.9	23.4
S11 : Input Return Loss	dB	-20	-21	-18	-16
S22 : Output Return Loss	dB	-17	-18	-17	-15
Output P1dB	dBm	16.5	16.5	16.4	16.4
Output IP3 @0dBm	dBm	32.8	33.6	32.9	31.3
Noise Figure	dB	2.0	2.0	2.2	2.3

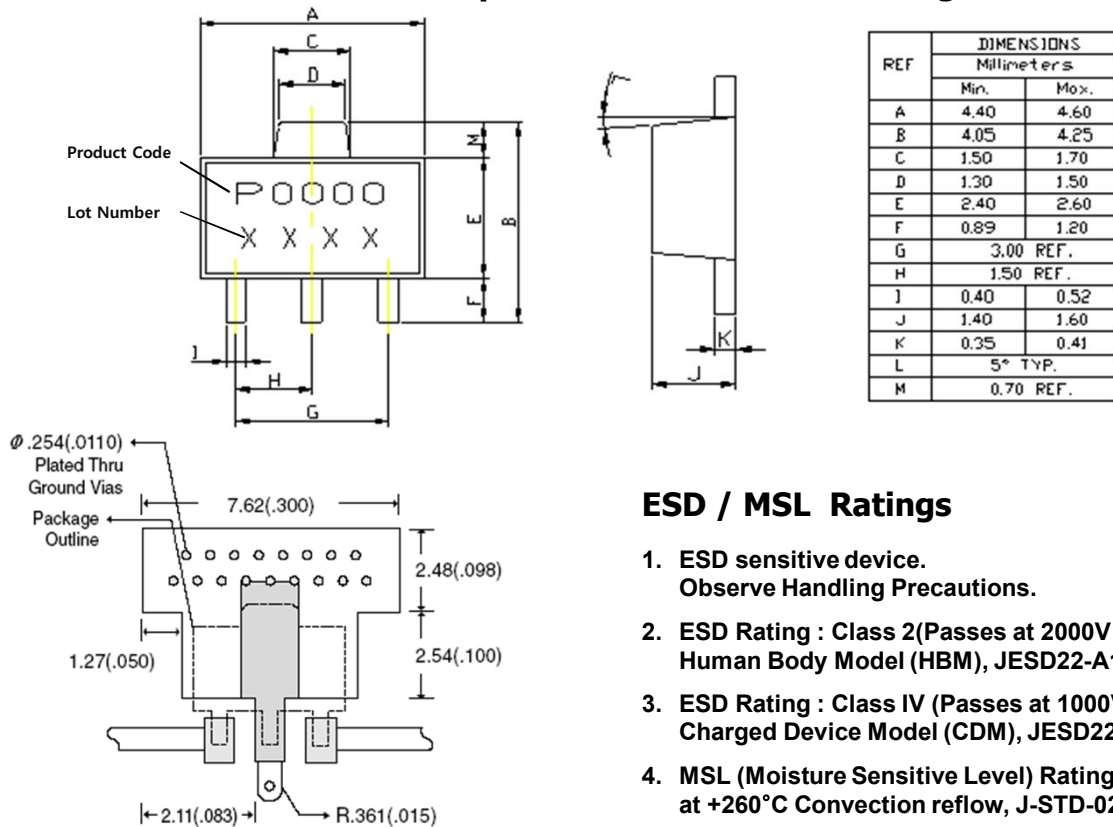


Absolute Maximum Ratings

Parameter	Rating	Unit
Supply Voltage	+8	V
Supply Current	200	mA
RF Power Input	8	dBm
Storage Temperature	-55 to +125	°C
Ambient Operating Temperature	-40 to +85	°C

Operation of this device above any of these parameters may cause permanent damage.

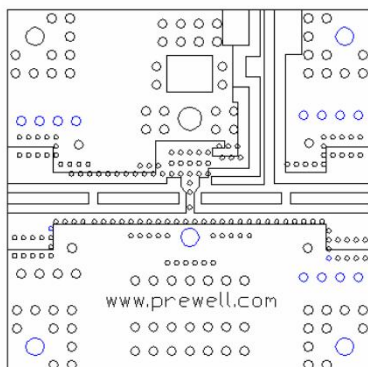
Lead-free / RoHS Compliant / Green SOT-89 Package Outline



ESD / MSL Ratings

- ESD sensitive device. Observe Handling Precautions.
- ESD Rating : Class 2(Passes at 2000V min.) Human Body Model (HBM), JESD22-A114
- ESD Rating : Class IV (Passes at 1000V min.) Charged Device Model (CDM), JESD22-C101
- MSL (Moisture Sensitive Level) Rating : Level 3 at +260°C Convection reflow, J-STD-020

Evaluation Board Layout (4x4)



Mounting Instructions

- Use a large ground pad area with many plated through-holes as shown.
- We recommend 1 oz copper minimum.
- Measurement for our data sheet was made on 0.8mm thick FR-4 Board.
- Add as much copper as possible to inner and outer layers near the part to ensure optimal thermal performance.
- RF trace width depends on the board material and construction.
- Add mounting screws near the part to fasten the board to a heatsink.

<http://www.prewell.com>