

Features

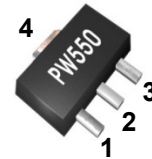
- ➔ 45 - 1000MHz
- ➔ 18.0dB Gain at 45MHz
- ➔ CSO 57dBc @+25dBmV
- ➔ CTB 76dBc @+25dBmV
- ➔ NF 3.5dB
- ➔ Lead-free / Green / RoHS-compliant SOT-89 Package



Applications

- ➔ Headend Driver Amplifier
- ➔ Predriver Amplifier
- ➔ Line Driver Amplifier
- ➔ Optic Transceiver Application
- ➔ Active Splitter
- ➔ MOCA
- ➔ FTTH Application

Functional Diagram



Function	Pin No.
RF IN	1
RF OUT / Bias	3
Ground	2,4

Description

The PW550 is a high performance InGaP HBT MMIC Amplifier and consists of Darlington pair amplifiers that is internally matched to 75Ω input/output. The amplifier features high gain, high linear performance, high reliability, low noise as an CATV amplifier. The PW550 operates from a single voltage supply and requires only two DC-blocking capacitors, a bias resistor and an inductor for operation. The device is a general purpose CATV amplifier that offers high dynamic range in a low cost surface-mountable plastic SOT-89 packages.

Specifications

* Test Conditions : T=25°C, Supply Voltage=+6V, 75ohm System

Symbol	Parameters	Units	Min.	Typ.	Max.	Condition
F	Frequency	MHz	45		1000	
S21	Gain	dB	17.5	18.0	18.5	45 ~ 1000MHz
S11	Input Return Loss	dB	-9	-13		45 ~ 1000MHz
S22	Output Return Loss	dB	-10	-15		45 ~ 1000MHz
CSO	Composite Second Order	dBc		57		+25dBmV/132ch Flat
CTB	Composite Triple Beat	dBc		76		+25dBmV/132ch Flat
OIP3	Output Third Order Intercept Point	dBm		37.0		Note 1
P1dB	Output Power at 1dB Compression	dBm		20.0		
Vo	Output Voltage	dBmV		57.5		Note 2
d2	Second Order Distortion	dBc		60.5		Note 3
NF	Noise Figure	dB		3.5		
I	Current	mA	85	90	95	
Rth	Thermal Resistance	°C/W		61		

Note 1. Two Tones, 1MHz Spacing, +5dBm per Tone at Output

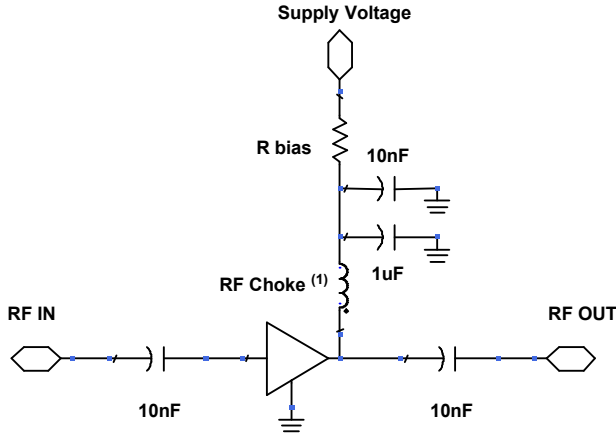
Note 2 $f_p=851.25\text{MHz}$; $V_p=V_o$; $f_q=858.25\text{MHz}$; $V_q=V_o-6\text{dB}$; $f_r=860.25\text{MHz}$; $V_r=V_o-6\text{dB}$; measured at $f_p+f_q-f_r=849.25\text{MHz}$

Note 3 $f_p=55.25\text{MHz}$; $V_p=40\text{dBmV}$, $f_q=805.25\text{MHz}$; $V_q=40\text{dBmV}$, measured at $f_p+f_q=860.5\text{MHz}$

<http://www.prewell.com>

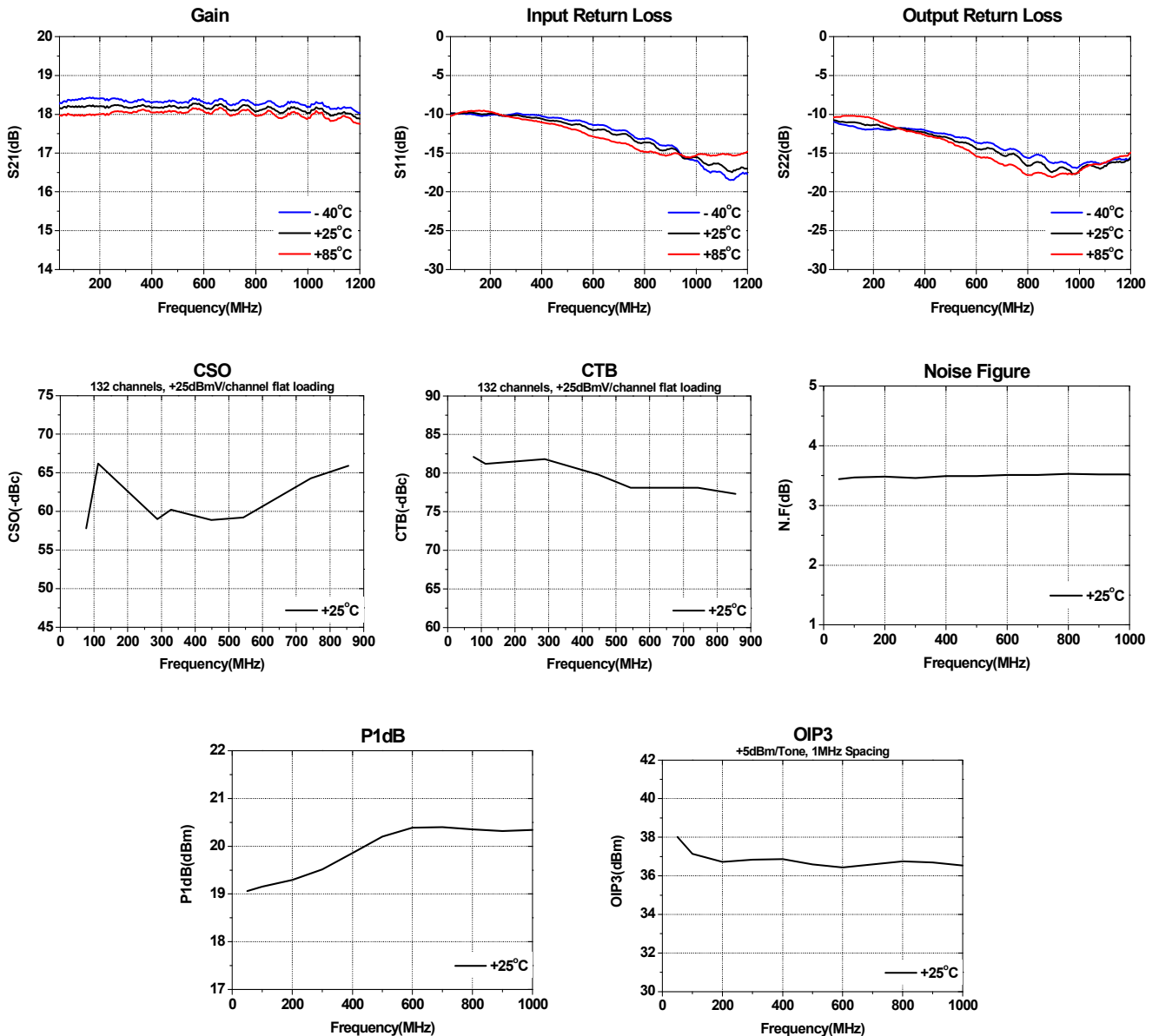
45 -1000MHz CATV Application Circuit

Recommended Bias Values



Supply Voltage	R bias Value	Size
6 V	7.4 Ω	0805
7 V	19.2 Ω	1210
8 V	30.9 Ω	1210
9 V	42.7 Ω	2010
10 V	54.5 Ω	2010
12 V	78.0 Ω	2512

1. RF Choke is about 4uH. We recommend that wire of 0.2 phi radius wind 7 turns on toroidal core(size:4.0x1.5x2.0)
2. Measurement for our datasheet was made on 1.6mm thick FR-4 Board. And 75 ohm microstrip line



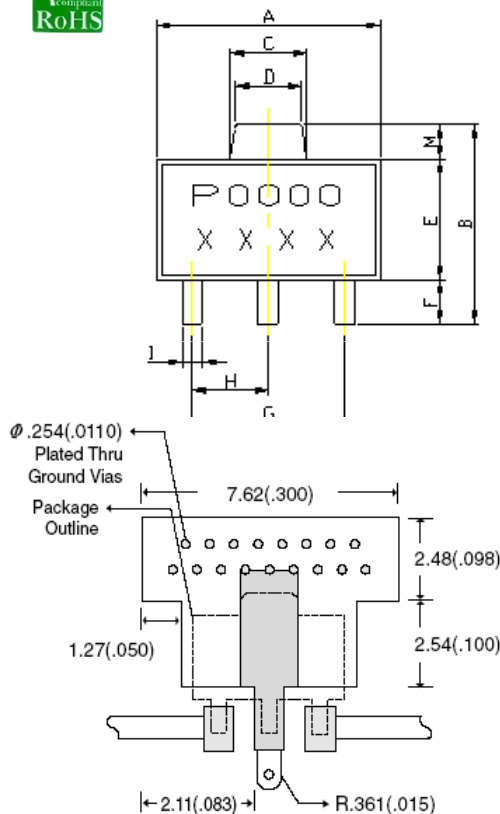
Absolute Maximum Ratings

Parameter	Rating	Unit
Device Voltage	+6	V
Device Current	170	mA
RF Power Input	10	dBm
Storage Temperature	-55 to +125	°C
Ambient Operating Temperature	-40 to +85	°C
Junction Temperature	160	°C

Operation of this device above any of these parameters may cause permanent damage.



Lead-free / RoHS Compliant / Green SOT-89 Package Outline

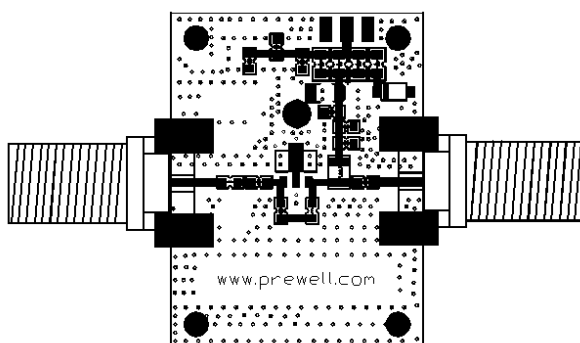


REF	DIMENSIONS	
	Millimeters	
	Min.	Max.
A	4.40	4.60
B	4.05	4.25
C	1.50	1.70
D	1.30	1.50
E	2.40	2.60
F	0.89	1.20
G	3.00 REF.	
H	1.50 REF.	
I	0.40	0.52
J	1.40	1.60
K	0.35	0.41
L	5° TYP.	
M	0.70 REF.	

ESD / MSL Ratings

- ESD sensitive device.
Observe Handling Precautions.
- ESD Rating : Class 2(Passes at 2000V min.)
Human Body Model (HBM), JESD22-A114
- ESD Rating : Class IV (Passes at 1000V min.)
Charged Device Model (CDM), JESD22-C101
- MSL (Moisture Sensitive Level) Rating : Level 3
at +260 °C Convection reflow, J-STD-020

Evaluation Board Layout (30x40)



Mounting Instructions

- Use a large ground pad area with many plated through-holes as shown.
- We recommend 1 oz copper minimum.
- Measurement for our data sheet was made on 1.6mm thick FR-4 Board.
- Add as much copper as possible to inner and outer layers near the part to ensure optimal thermal performance.
- RF trace width depends on the board material and construction.
- Add mounting screws near the part to fasten the board to a heatsink.

<http://www.prewell.com>