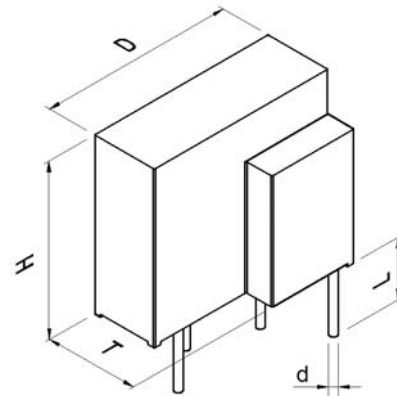


Integrate two MOVs and one thermal fuse inside



## Applications

- Telecom power supplies
- Power surge protectors
- Surge protectors

## Dimensions (mm)

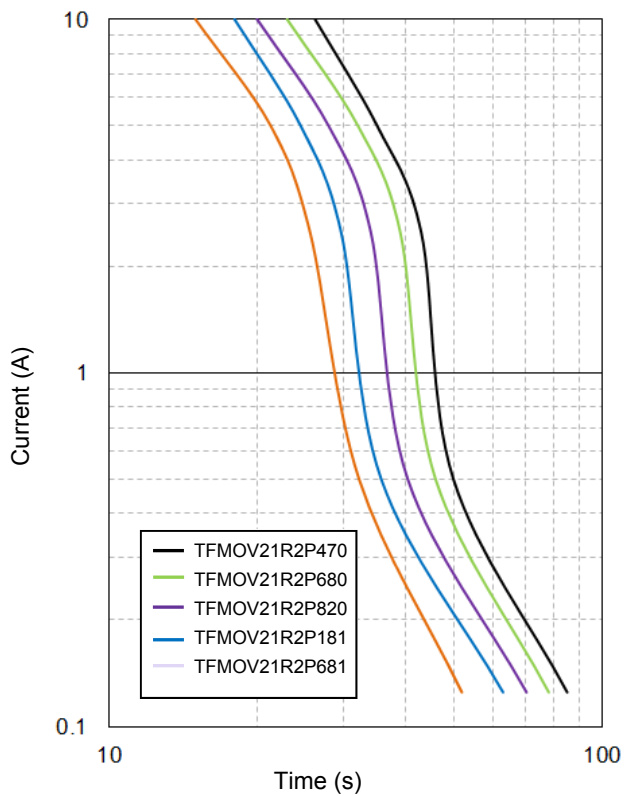
H	D	T	L	d
24±0.5	26.9±0.5	13.3±0.5 <sup>①</sup> 15.1±0.5 <sup>②</sup>	7±0.5	Φ1.05±0.05

①Model: 470~241

②Model: 271~511

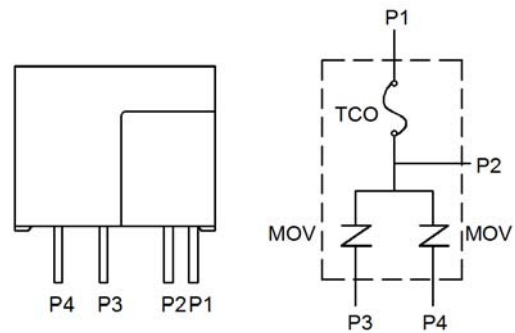
Note: Please contact us for detailed dimensions.

## Limited Current Test Curve (UL 1449 3rd clause 39.4)



- The above curve is for reference only.

## Schematics



## Packaging Information

- Each Blister plate: 40pcs
- Each Carton: 400pcs



Specifications

Model	Maximum Allowable Voltage		Varistor Voltage		Clamping Voltage (Max)		Maximum Peak Current (8/20µs)		Clamping Voltage Ratio		Maximum Energy (Joule)	Typical Capacitance (Reference)	Thermal Fuse
	AC. Rms	DC	V1.0mA (V)		VC	IP	In	I <sub>max</sub>	R <sub>cl</sub>	In	10/1000 µs	@1KHz	UL60691 E214712
	(V)	(V)	Min	Max	(V)	(A)	(KA)			(KA)	(J)	(pF)	
TFMOV21R2P470	30	38	42	52	93	25	2.5×2	5×2	4.3	2.5	41×2	8880×2	VT Series Ur:690Vac; Ir:15/16A
TFMOV21R2P560	35	45	50	62	110	25	2.5×2	5×2	3.8	2.5	49×2	7800×2	
TFMOV21R2P680	40	56	61	75	135	25	2.5×3	5×3	3.8	2.5	59×2	7000×2	
TFMOV21R2P820	50	65	74	90	135	115	5×2	10×2	3.2	5	67×2	5880×2	
TFMOV21R2P101	60	85	90	110	165	115	5×2	10×2	3.2	5	84×2	4800×2	
TFMOV21R2P121	75	100	108	132	200	115	5×2	10×2	3.2	5	102×2	4000×2	
TFMOV21R2P151	95	125	139	162	250	115	5×2	10×2	3.2	5	127×2	3200×2	
TFMOV21R2P181	115	150	167	195	300	115	5×2	10×2	2.3	5	156×2	2650×2	
TFMOV21R2P201	130	170	186	216	340	115	7.5×2	15×2	2.3	7.5	170×2	2400×2	
TFMOV21R2P221	140	180	204	238	360	115	7.5×2	15×2	2.3	7.5	185×2	2160×2	
TFMOV21R2P241	150	200	223	260	395	115	7.5×2	15×2	2.3	7.5	200×2	2000×2	
TFMOV21R2P271	175	225	251	292	455	115	7.5×2	15×2	2.3	7.5	230×2	1800×2	
TFMOV21R2P301	190	250	279	324	500	115	7.5×2	15×2	2.3	7.5	250×2	1560×2	
TFMOV21R2P331	210	275	306	357	550	115	7.5×2	15×2	2.3	7.5	270×2	1440×2	
TFMOV21R2P361	230	300	334	389	595	115	7.5×2	15×2	2.3	7.5	305×2	1320×2	
TFMOV21R2P391	250	320	362	422	650	115	7.5×2	15×2	2.3	7.5	330×2	1200×2	
TFMOV21R2P431	275	350	399	465	710	115	7.5×2	15×2	2.3	7.5	365×2	1160×2	
TFMOV21R2P471	300	385	437	508	775	115	7.5×2	15×2	2.3	7.5	420×2	1020×2	
TFMOV21R2P511	320	415	474	551	845	115	7.5×2	15×2	2.3	7.5	430×2	935×2	

a: Clamping voltage= (Clamping voltage ratio) × (Varistor voltage); The voltage protection level (Up) is selected according to IEC61643-11:2011 clause 6.4, which should be the higher than the minimum measured limiting voltage.

The preferred value of voltage protection level: 0.08KV; 0.09KV; 0.10KV; 0.12KV; 0.15KV; 0.22KV; 0.33KV; 0.4KV; 0.5KV; 0.6KV; 0.7KV; 0.8KV; 0.9KV; 1.0KV; 1.2KV; 1.5KV; 1.8KV; 2.0KV; 2.5KV; 3.0KV; 4.0KV; 5.0KV; 6.0KV; 8.0KV and 10KV