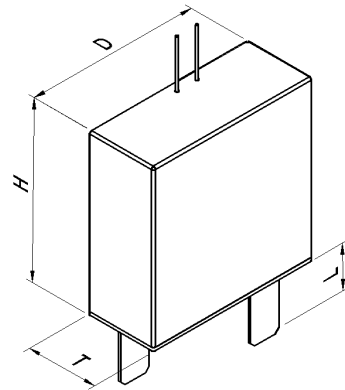


Limited current up to 120A



Applications

- Power surge protectors
- Industrial power supplies
- Photovoltaic systems (PV)

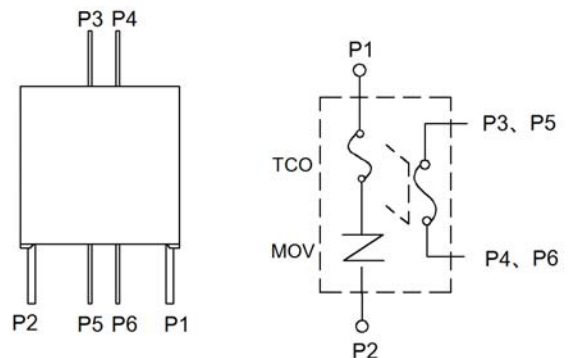
Dimensions (mm)

H	D	T	L
39.8±0.5	39.8±0.5	16.3±0.5	10±0.5

Features and Benefits

- Maximum continuous operating voltage range:130V~510V
- Limited Current Abnormal Overvoltage Test :120A
- Maximum discharge Current : 50KA (8/20μs)
- Operation condition -40℃~+85℃, 95%RH
- With normally open contact

Schematics



Packaging Information

- Each Blister plate: 10pcs
- Each Carton: 100pcs



Specifications

Model	Maximum Allowable Voltage		Varistor Voltage		Clamping Voltage (Max)		Maximum Peak Current (8/20μs)		Clamping Voltage Ratio		Maximum Energy (Joule)	Typical Capacitance (Reference)	Thermal Fuse
	AC. Rms	DC	V1.0mA (V)		VC	IP	In	I _{max}	Rcl	In	10/1000 μs	@1KHz	UL60691 E214712
	(V)	(V)	Min	Max	(V)	(A)	(KA)			(KA)	(J)	(pF)	
TFMOV34S201H	130	170	186	216	340	300	20	50	2.3	20	400	6750	VQ Series Ur:690Vac; Ir:25A
TFMOV34S221H	140	180	204	238	360	300	20	50	2.3	20	450	6400	
TFMOV34S241H	150	200	223	260	395	300	20	50	2.3	20	480	5650	
TFMOV34S271H	175	225	251	292	455	300	20	50	2.3	20	540	5100	
TFMOV34S301H	190	250	279	324	500	300	20	50	2.3	20	600	4510	
TFMOV34S331H	210	275	306	357	550	300	20	50	2.3	20	656	4150	
TFMOV34S361H	230	300	334	389	595	300	20	50	2.3	20	745	3750	
TFMOV34S391H	250	320	362	422	650	300	20	50	2.3	20	830	3500	
TFMOV34S431H	275	350	399	465	710	300	20	50	2.3	20	920	2950	
TFMOV34S471H	300	385	437	508	775	300	20	50	2.3	20	1000	2880	
TFMOV34S511H	320	415	474	551	845	300	20	50	2.3	20	1060	2650	
TFMOV34S561H	350	460	520	605	925	300	20	50	2.3	20	1150	2450	
TFMOV34S621H	385	505	576	670	1025	300	20	50	2.3	20	1250	2200	
TFMOV34S681H	420	560	632	735	1120	300	20	50	2.3	20	1250	2000	
TFMOV34S751H	460	615	697	810	1240	300	20	50	2.3	20	1280	1820	
TFMOV34S821H	510	670	762	886	1355	300	20	50	2.3	20	1300	1800	

a: Clamping voltage= (Clamping voltage ratio) × (Varistor voltage); The voltage protection level (Up) is selected according to IEC61643-11:2011 clause 6.4, which should be the higher than the minimum measured limiting voltage.

The preferred value of voltage protection level: 0.08KV; 0.09KV; 0.10KV; 0.12KV; 0.15KV; 0.22KV; 0.33KV; 0.4KV; 0.5KV; 0.6KV; 0.7KV; 0.8KV; 0.9KV; 1.0KV; 1.2KV; 1.5KV; 1.8KV; 2.0KV; 2.5KV; 3.0KV; 4.0KV; 5.0KV; 6.0KV; 8.0KV和10KV