

# Series TG6

## GLASS SEALED CERAMIC 6 X 3.5MM SMD



- Leadless type.
- Automatic mounting.
- Rugged AT-cut crystal construction
- Emboss taping specification.
- Suitable for solder Reflow.
- Available on tape and reel ,1000pcs per reel



### APPLICATIONS

- Ideally suited designed for disc drives, NB,PCs and hand-held electronic products

### ELECTRICAL SPECIFICATIONS

Output Frequency Range	8.000MHz to 80.000MHz
Mode	See Table 1
Frequency Tolerance (at 25°C)	±30ppm, ±50ppm, or specify
Frequency Stability Over Operating Temperature Characteristics	±30ppm, ±50ppm or specify
Storage Temperature Range	-55 °C to +125 °C
Operating Temperature Range	-10 °C to + 60 °C, -20 °C to + 70 °C, -40 °C to + 85 °C,
Shunt Capacitance (C <sub>0</sub> )	5.0 pF Max
Driver Level (Typical)	10μW
Load Capacitance(C <sub>L</sub> )	Series, 16pF, 20pF, 30pF, 32pF, or specify
Equivalent Series Resistance ESR (Ω)	See Table 1
Aging @25°C 1 <sup>st</sup> year (Max)	±3ppm/year
Shock Resistance	Drop test of 3 times on 2mm stainless plate from 75cm height

**REMARK:** SPECIFICATIONS SUBJECT TO CHANGE WITHOUT PRIOR NOTICE. PLEASE CONFIRM WITH OUR SALES ENGINEER.

### Frequencies and Equivalent Series Resistant

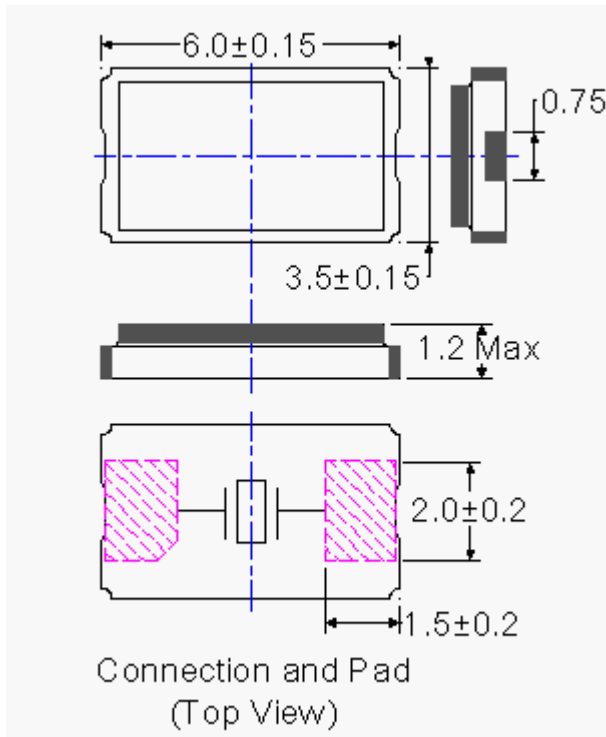
Frequency Range	E.S.R. (Ω)	Mode
8.000 MHz ~ 10.000 MHz	70 Max	Fundamental / AT
10.000 MHz ~ 30.000 MHz	40 Max	Fundamental / AT
30.000 MHz ~ 45.000 MHz	60 Max	Third Overtone / AT
45.000 MHz ~ 80.000 MHz	50 Max	Third Overtone / AT

# Series TG6

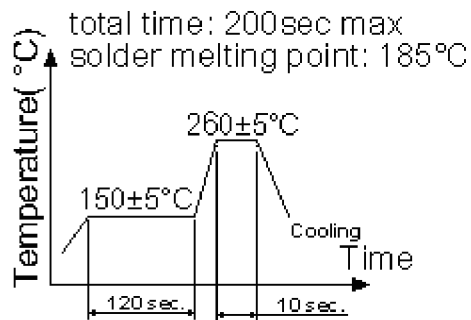
## GLASS SEALED CERAMIC 6 X 3.5MM SMD



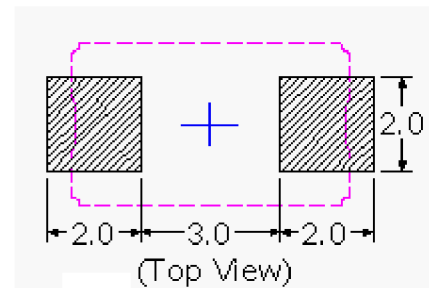
### Dimension



### Reflow Condition



### Reference Land Pattern



### PACKING

