

# Series TG7

## GLASS SEALED CERAMIC 7 X 5MM SMD



### FEATURE

- Unitra small SMD type crystal unit
- High reliable environmental performance
- Automatic mounting
- Reasonable cost



### ELECTRICAL SPECIFICATIONS

|  |  |
|--|--|
| Output Frequency Range   | 8.000 MHz to 80.000 MHz                                      |
| Mode   | see Table 1*   |
| Frequency Tolerance (at 25°C)                                  | ±30ppm, ±50ppm, or specify                                   |
| Frequency Stability Over Operating Temperature Characteristics | ±30ppm, ±50ppm, or specify                                   |
| Storage Temperature Range                                      | -55 °C to +125 °C  |
| Operating Temperature Range                                    | -10 °C to + 60 °C  |
| Shunt Capacitance (C0)   | 5.0 pF Max   |
| Driver Level (Typical)   | 10μW   |
| Load Capacitance(C <sub>L</sub> )                              | Series, 16pF, 20pF, 30pF, 32pF, or specify                   |
| Equivalent Series Resistance ESR (Ω)                           | see Table 1*   |
| Aging @25°C V 1 <sup>st</sup> year (Max)                       | ±3ppm, ±5ppm/year  |
| Shock Resistance   | Drop test of 3 times on 2mm stainless plate from 75cm height |

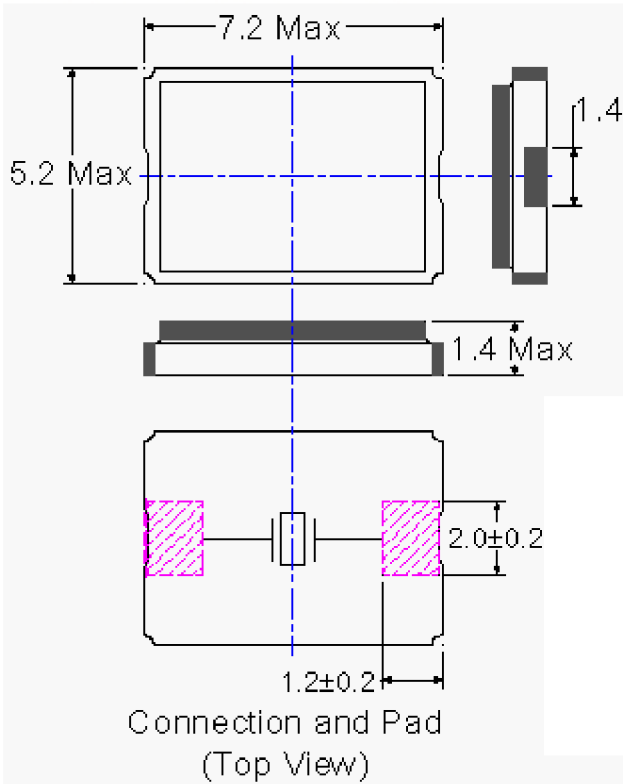
**REMARK:** SPECIFICATIONS SUBJECT TO CHANGE WITHOUT PRIOR NOTICE. PLEASE CONFIRM WITH OUR SALES ENGINEER.

### FREQUENCIES AND EQUIVALENT SERIES RESISTANT

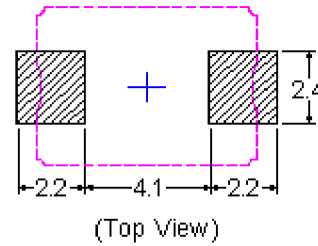
| Frequency Range         | E.S.R. (Ω) | Mode                |
|-------------------------|------------|---------------------|
| 8.000 MHz ~ 10.000 MHz  | 70 Max     | Fundamental / AT    |
| 10.000 MHz ~ 30.000 MHz | 40 Max     | Fundamental / AT    |
| 30.000 MHz ~ 45.000 MHz | 60 Max     | Third Overtone / AT |
| 45.000 MHz ~ 80.000 MHz | 50 Max     | Third Overtone / AT |

**MARKING AND DIMENSION**

**Dimensions (UNIT: mm)**



**Reference Land Pattern**



**Reflow Condition (example)**

**Packing**

