

Series TG8

GLASS SEALED CERAMIC 8 X 4.5MM SMD



FEATURE

- Leadless type.
- Automatic mounting.
- Rugged AT-cut crystal construction
- Suitable for solder reflow.
- Available on tape and reel, 1000pcs per reel



APPLICATIONS

Ideally suited designed for disc drives, NB, PCs and hand-held electronic products

ELECTRICAL SPECIFICATIONS

| | |
|--|--|
| Output Frequency Range | 8.000 MHz to 80.000 MHz |
| Mode | see Table 1* |
| Frequency Tolerance (at 25°C) | ±10ppm ~ ±50ppm, or specify |
| Frequency Stability Over Operating Temperature Characteristics | -10°C ~+60°C ±30ppm, -20°C ~+70°C ±50ppm or specify |
| Storage Temperature Range | -55 °C to +125 °C |
| Operable Temperature Range | -40 °C to + 85 °C |
| Shunt Capacitance (C0) | 5.0 pF Max |
| Driver Level (Typical) | 10μW |
| Load Capacitance(C _L) | Series, 16pF, 20pF, 30pF, 32pF, or specify |
| Equivalent Series Resistance ESR (Ω) | see Table 1* |
| Aging @25°C 1 st year (Max) | ±3ppm, ±5ppm/year |
| Shock Resistance | Drop test of 3 times on 2mm stainless plate from 75cm height |

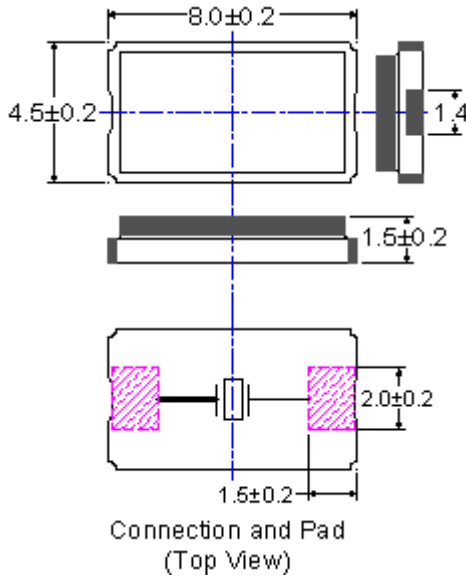
REMARK: SPECIFICATIONS SUBJECT TO CHANGE WITHOUT PRIOR NOTICE. PLEASE CONFIRM WITH OUR SALES ENGINEER.

EQUIVALENT SERIES RESISTANCE(ESR) AND MODE OF OPERATION(MODE)

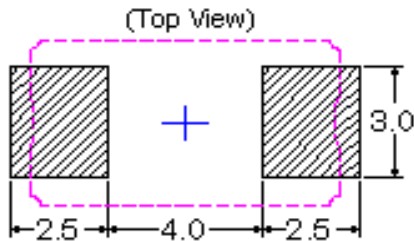
| Frequency Range | E.S.R. (Ω) | Mode |
|-------------------------|------------|---------------------|
| 8.000 MHz ~ 10.000 MHz | 70 Max | Fundamental / AT |
| 10.000 MHz ~ 40.000 MHz | 40 Max | Fundamental / AT |
| 30.000 MHz ~ 45.000 MHz | 60 Max | Third Overtone / AT |
| 45.000 MHz ~ 80.000 MHz | 50 Max | Third Overtone / AT |

MARKING AND DIMENSIONS

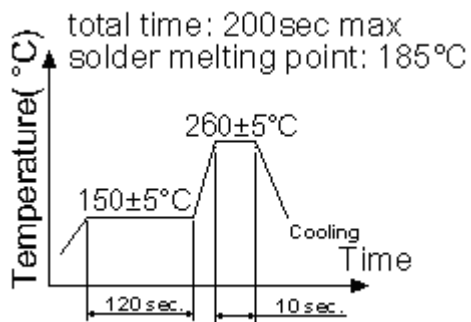
Dimensions (Unit: mm)



Reference Land pattern (Typical)



Reflow Condition (Example)



Series TG8

GLASS SEALED CERAMIC 8 X 4.5MM SMD



Packing

