

Series TX5

SEAM SEALED CERAMIC 5 X 3.2mm SMD



FEATURE

- Ultra thin, thickness 1.0mm
- Leadless type
- High precision characteristic covering up to high frequency range
- Automatic mounting
- Embossed taping specification
- Suitable for Reflow soldering



APPLICATIONS

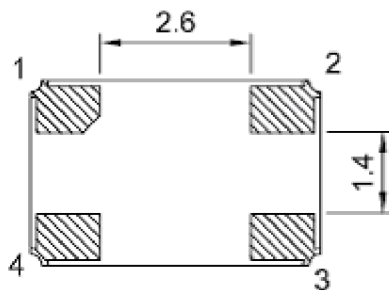
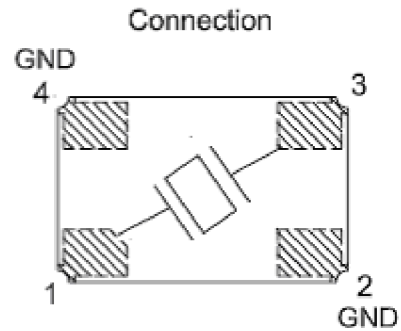
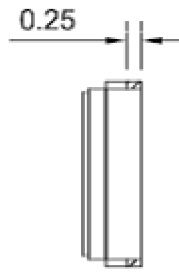
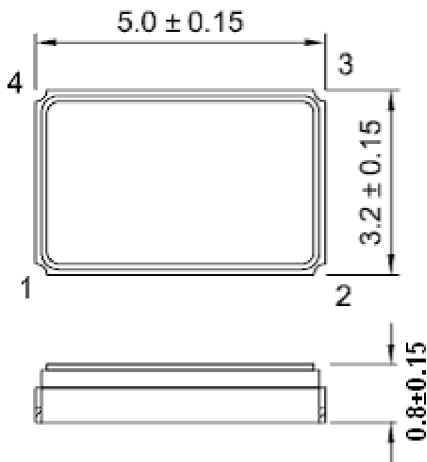
- Ideally suited designed for disc drives, NB, PCs and hand-held electronic products

ELECTRICAL SPECIFICATIONS

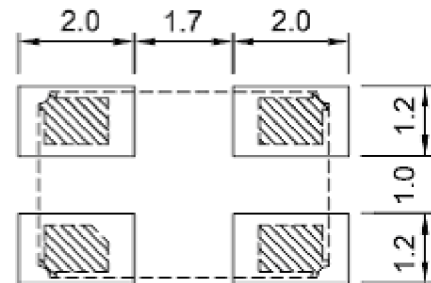
Output Frequency Range	12.000 MHz to 40.000 MHz
Mode	see Table 1*
Frequency Tolerance (at 25°C)	±30ppm, ±50ppm, or specify
Frequency Stability Over Operating Temperature Characteristics	-10°C ~+60°C ±30ppm, -20°C ~+70°C ±50ppm or specify
Storage Temperature Range	-55 °C to +125 °C
Operable Temperature Range	-40 °C to + 85 °C
Shunt Capacitance (C ₀)	5.0 pF Max
Driver Level (Typical)	10μW~100μW
Load Capacitance(C _L)	Series, 16pF, 20pF, 30pF, 32pF, or specify
Equivalent Series Resistance ESR	40Ω Max
Aging @25°C 1 st year (Max)	±3ppm, ±5ppm/year
Shock Resistance	Drop test of 3 times on 2mm stainless plate from 75cm height

REMARK: SPECIFICATIONS SUBJECT TO CHANGE WITHOUT PRIOR NOTICE. PLEASE CONFIRM WITH OUR SALES ENGINEER.

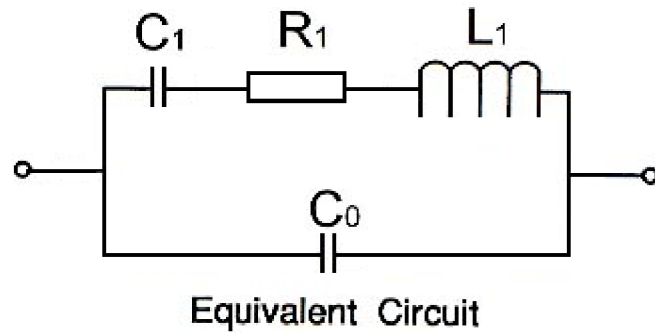
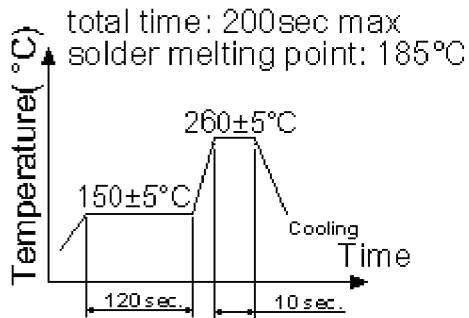
Series TX5
SEAM SEALED CERAMIC 5 X 3.2mm SMD
Dimension & Reflow Condition



Suggested Layout



Units:mm

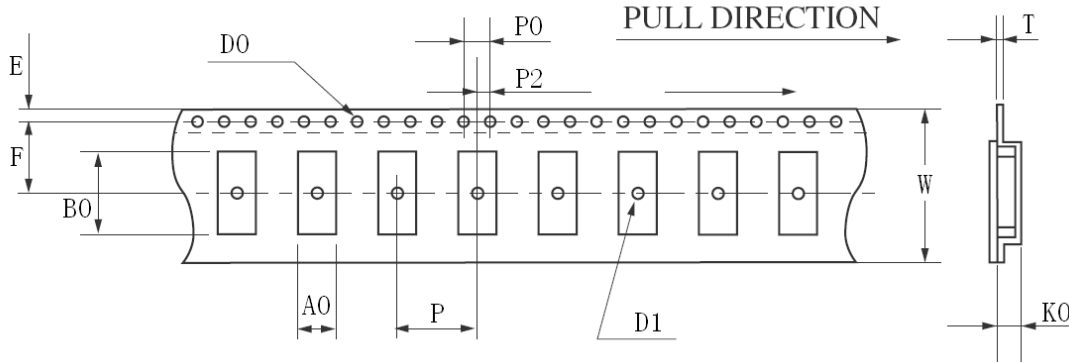


Series TX5

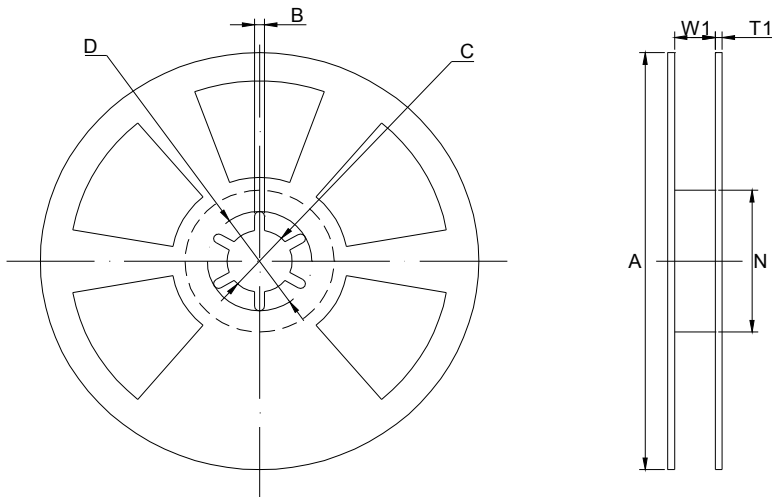
SEAM SEALED CERAMIC 5 X 3.2mm SMD



PACKING



	HC-49SMD	8045	7050	6035	5032	4025	3225
W	24.00±0.30	16.00±0.05	16.00±0.05	12.00±0.05	12.00±0.05	12.00±0.05	12.00±0.05
E	1.75±0.10	1.75±0.10	1.75±0.10	1.75±0.10	1.75±0.10	1.75±0.10	1.75±0.10
F	11.5±0.10	7.5±0.10	7.5±0.10	5.5±0.10	5.5±0.10	5.5±0.10	5.5±0.10
T	0.40±0.05	0.35±0.05	0.35±0.05	0.35±0.05	0.35±0.05	0.35±0.05	0.30±0.05
P	12.00±0.10	8.00±0.10	8.00±0.10	8.00±0.10	8.00±0.10	8.00±0.10	8.00±0.10
P0	4.00±0.10	4.00±0.10	4.00±0.10	4.00±0.10	4.00±0.10	4.00±0.10	4.00±0.10
P2	2.00±0.10	2.00±0.10	2.00±0.10	2.00±0.10	2.00±0.10	2.00±0.10	2.00±0.10
D0	φ 1.50+0.10	φ 1.50+0.10	φ 1.50+0.10	φ 1.50+0.10	φ 1.50+0.10	φ 1.50+0.10	φ 1.50+0.10
D1	φ 1.50MIN	φ 1.50MIN	φ 1.50MIN	φ 1.50MIN	φ 1.50MIN	φ 1.50MIN	φ 1.50MIN
A0	4.60±0.10	4.85±0.10	5.40±0.10	3.90±0.10	3.60±0.10	2.80±0.10	2.85±0.10
K0	4.40±0.10	1.90±0.10	1.80±0.10	1.50±0.10	1.10±0.10	0.90±0.10	0.85±0.10
B0	14.20±0.15	8.60±0.15	7.40±0.10	6.40±0.10	5.40±0.10	4.30±0.10	3.55±0.10



Series TX5

SEAM SEALED CERAMIC 5 X 3.2mm SMD



	HC-49SMD	8045	7050	6035	5032	4025	3225
A	$\phi 330 \pm 1.0$	$\phi 178 \pm 2.0$	$\phi 178 \pm 2.0$	$\phi 178 \pm 2.0$	$\phi 178 \pm 2.0$	$\phi 178 \pm 2.0$	$\phi 178 \pm 2.0$
B	2.30 ± 0.20	2.00 ± 0.50	2.00 ± 0.50	2.00 ± 0.50	2.00 ± 0.50	2.00 ± 0.50	2.00 ± 0.50
C	$\phi 13.5 \pm 0.20$	$\phi 13.2 \pm 0.20$	$\phi 13.2 \pm 0.20$	$\phi 13.2 \pm 0.20$	$\phi 13.2 \pm 0.20$	$\phi 13.2 \pm 0.20$	$\phi 13.2 \pm 0.20$
D	$\phi 21.5 \pm 0.20$	$\phi 20.0 \text{ min}$	$\phi 20.0 \text{ min}$	$\phi 20.0 \text{ min}$	$\phi 20.0 \text{ min}$	$\phi 20.0 \text{ min}$	$\phi 20.0 \text{ min}$
N	$\phi 100.0 \pm 0.5$	$\phi 60.5 \pm 1.0$	$\phi 60.5 \pm 1.0$	$\phi 60.5 \pm 1.0$	$\phi 60.5 \pm 1.0$	$\phi 60.5 \pm 1.0$	$\phi 60.5 \pm 1.0$
W1	24.5 ± 0.20	16.5 ± 0.20	16.5 ± 0.20	12.5 ± 0.20	12.5 ± 0.20	12.5 ± 0.20	12.5 ± 0.20
T1	2.30 ± 0.20	1.80 ± 0.20	1.80 ± 0.20	1.80 ± 0.20	1.80 ± 0.20	1.80 ± 0.20	1.80 ± 0.20