

Series TX7

SEAM SEALED CERAMIC 7.0 X 5MM SMD



FEATURE

- Ultra thin, thickness 1.0mm
- Leadless type
- High precision characteristic covering up to high frequency range
- Automatic mounting
- Embossed taping specification
- Reflow soldering



APPLICATIONS

- Ideally suited designed for disc drives, NB, PCs and hand-held electronic products

ELECTRICAL SPECIFICATIONS

Output Frequency Range	6.000 MHz to 110.000 MHz
Mode	see Table 1*
Frequency Tolerance (at 25°C)	±10ppm ~ ±50ppm
Frequency Stability Over Operating Temperature Characteristics	-10°C ~+60°C ±30ppm, -20°C ~+70°C ±50ppm or specify
Storage Temperature Range	-55 °C to +125 °C
Operable Temperature Range	-10°C to +60°C ~ -40°C to +85 °C
Shunt Capacitance (C ₀)	5.0 pF Max
Driver Level (Typical)	10μW~100μW
Load Capacitance(C _L)	Series, 16pF, 20pF, 30pF, 32pF, or specify
Equivalent Series Resistance ESR (Ω)	see Table 1*
Aging @25°C 1 st year (Max)	±3ppm, ±5ppm/year
Shock Resistance	Drop test of 3 times on 2mm stainless plate from 75cm height

REMARK: SPECIFICATIONS SUBJECT TO CHANGE WITHOUT PRIOR NOTICE. PLEASE CONFIRM WITH OUR SALES ENGINEER.

Frequency and Equivalent Series Resistant

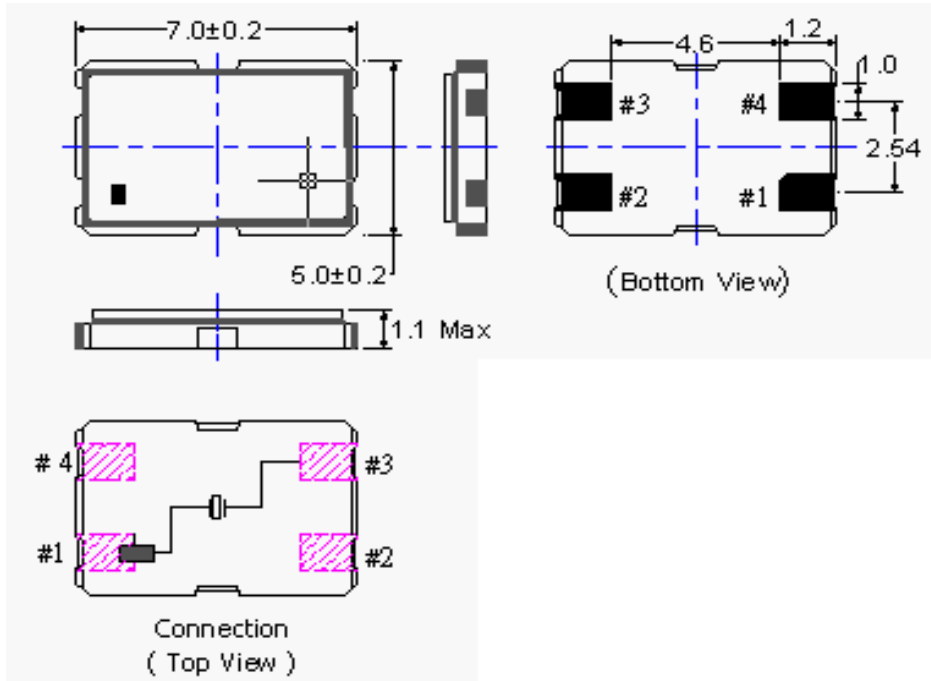
Frequency Range	E.S.R. (Ω)	Mode
6.000 MHz ~ 15.999 MHz	40 Max	Fundamental / AT
16.000 MHz ~ 32.000 MHz	35 Max	Fundamental / AT
30.000 MHz ~ 44.999 MHz	80 Max	Third Overtone / AT
45.000 MHz ~ 89.999 MHz	70 Max	Third Overtone / AT
90.000 MHz ~ 110.000 MHz	75 Max	Third Overtone / AT

Series TX7

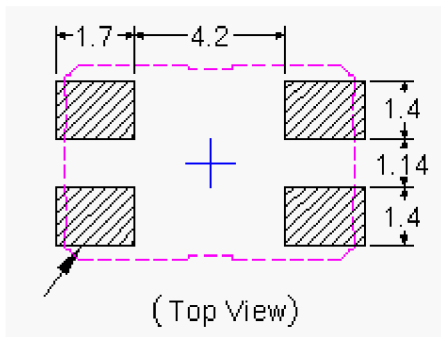
SEAM SEALED CERAMIC 7.0 X 5MM SMD



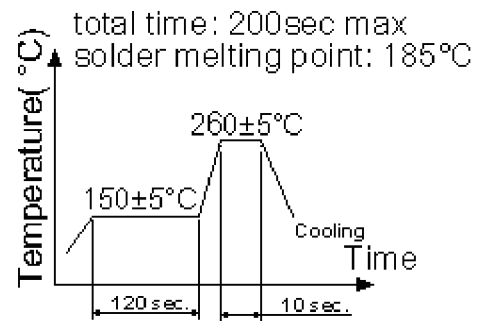
Dimension



Reference Land Pattern



Reflow Condition



PACKING:

